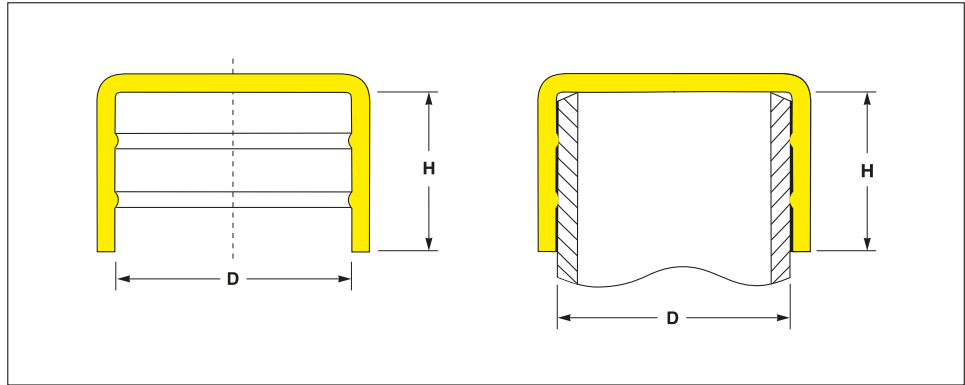


Pipe Protection Caps

The Original. One piece construction. Injection – moulded. Up to 64." nominal pipe size. Complemented with over 170 additional sizes
Internal ribs provide tight fit and release pressure build up



All dimensions in mm

Dimensions			Colour	Standard Pack	Reference No.
D	Nom Ø	H			
4.0		22.0	yellow	5.000	EP 260 / 4.0
5.0		18.7	natural	20.000	EP 260 / 5.0
6.0		18.9	yellow	5.000	EP 260 / 6.0
6.35		13.0	yellow	5.000	EP 260 / 6.35
7.0		18.6	yellow	5.000	EP 260 / 7.0
8.2		17.2	yellow	10.000	EP 260 / 8.0
9.6		14.0	yellow	5.000	EP 260 / 9.6
10.2	R .1/8"	18.6	yellow	8.000	EP 260 / 10.2
11.0		19.0	yellow	15.000	EP 260 / 11.0
12.0		18.5	yellow	15.000	EP 260 / 12.0
12.7		19.3	yellow	13.500	EP 260 / 12.7
13.0		18.7	yellow	5.000	EP 260 / 13.0
13.7	R .1/4"	18.4	yellow	5.000	EP 260 / 13.7
14.0		18.6	yellow	5.000	EP 260 / 14.0
15.0		19.1	yellow	5.000	EP 260 / 15.0
16.0		19.8	yellow	5.000	EP 260 / 16.0
17.2	R .3/8"	20.2	yellow	5.000	EP 260 / 17.2
18.0		20.0	yellow	5.000	EP 260 / 18.0
19.0		20.0	yellow	6.000	EP 260 / 19.0
20.0		20.0	yellow	5.000	EP 260 / 20.0
21.3	R .1/2"	20.0	yellow	5.000	EP 260 / 21.3
22.0		20.0	yellow	5.000	EP 260 / 22.0
23.2		19.0	yellow	4.500	EP 260 / 23.2
24.0		18.4	yellow	4.000	EP 260 / 24.0
24.8		16.9	natural	4.000	EP 260 / 24.8
25.0		50.0	yellow	1.000	EP 260 / 25.0 × 80

Material :
LLD-PE,
linear low density polyethylene

Standard Colours :
yellow, natural

The Original
One piece construction
Injection-moulded

Up to 64." nominal pipe size and complemented with over 170 additional sizes. Internal ribs provide tight fit and release pressure build up.

Think Plastic. Go Protec.®

PROTEC
PLASTICS

Should your requirements not be shown please ask for separate quotation.
PROTEC products and specifications are subject to improvement and change without notice.

Pipe Protection Caps

The Original. One piece construction. Injection – moulded. Up to 64."nominal pipe size
Complemented with over 170 additional sizes
Internal ribs provide tight fit and release pressure build up

TRIPLE ADVANTAGE of PROTEC CAPTOP®

QUALITY. These comprehensive range of high quality protection caps is available for all nominal pipe sizes and is complemented with a vast range of additional sizes and lengths to suit a wide variety of applications.

AVAILABILITY. With over 400 million moulded components shipped from our Oststeinbek / Hamburg logistics center we provide the fastest on time delivery service to all markets and industries.

PHILOSOPHY. Innovative protective closures at the best price in the market.



CAPTOP®



Material :
LLD-PE,
linear low density polyethylene

Standard Colours :
yellow, natural

Individual Productions :
On request we develop and produce individually tailored solutions next to the standard items of this range: additional dimensions, different materials and new colours

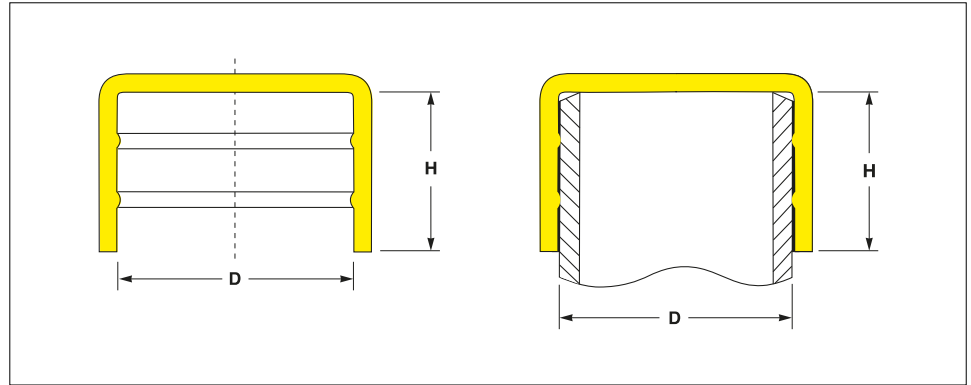
We would be pleased to advise you.

Think Plastic. Go Protec.®

PROTEC
PLASTICS

Pipe Protection Caps

The Original. One piece construction. Injection – moulded. Up to 64." nominal pipe size. Complemented with over 170 additional sizes
Internal ribs provide tight fit and release pressure build up



All dimensions in mm

Dimensions			Colour	Standard Pack	Reference No.
D	Nom Ø	H			
25.4		20.0	yellow	4.000	EP 260 / 25.4
26.0		18.0	yellow	5.000	EP 260 / 26.0
26.9	R .3/4"	27.6	yellow	3.000	EP 260 / 26.9
26.9		79.2	yellow	800	EP 260 / 26.9 × 80
28.0		22.5	yellow	2.500	EP 260 / 28.0
30.0		27.5	yellow	2.000	EP 260 / 30.0
31.8		27.0	yellow	2.000	EP 260 / 31.8
31.8		90.0	yellow	450	EP 260 / 31.8 × 90
33.7	R 1."	23.0	yellow	2.000	EP 260 / 33.7
35.0		27.0	yellow	1.800	EP 260 / 35.0
38.1		27.0	yellow	1.500	EP 260 / 38.1
38.1		90.0	yellow	400	EP 260 / 38.1 × 90
39.0		17.0	natural	2.000	EP 260 / 39.0
40.0		27.0	yellow	1.500	EP 260 / 40.0
41.5		25.6	yellow	1.500	EP 260 / 41.5
42.4	R 1.1/4"	32.2	yellow	1.000	EP 260 / 42.4
42.4		80.0	yellow	350	EP 260 / 42.4 × 80
44.5		35.0	yellow	800	EP 260 / 44.5
44.5		80.0	yellow	400	EP 260 / 44.5 × 80
45.4		20.0	yellow	1.250	EP 260 / 45.4
48.3	R 1.1/2"	31.7	yellow	800	EP 260 / 48.3
50.8		26.9	yellow	1.000	EP 260 / 50.8
51.0		90.0	yellow	250	EP 260 / 51.0 × 90
52.0		33.0	natural	800	EP 260 / 52.0
52.8		28.0	natural	800	EP 260 / 52.8
54.0	R 1.3/4"	35.0	yellow	650	EP 260 / 54.0

Material :
LLD-PE,
linear low density polyethylene

Standard Colours :
yellow, natural

The Original
One piece construction
Injection-moulded

Up to 64." nominal pipe size and complemented with over 170 additional sizes. Internal ribs provide tight fit and release pressure build up.

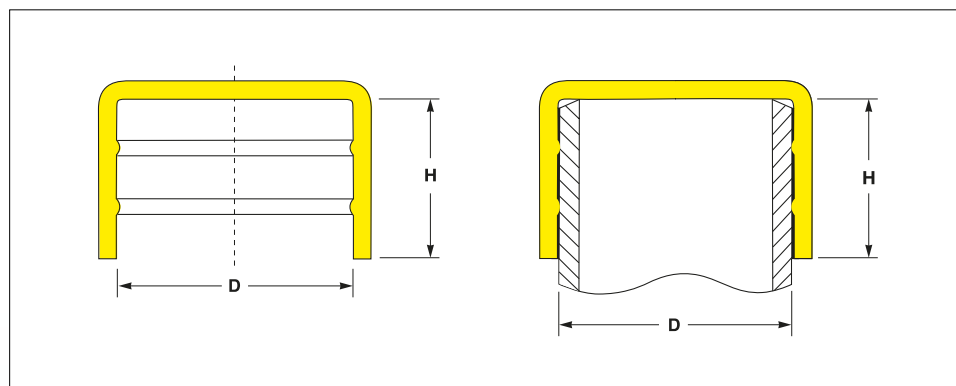
Think Plastic. Go Protec.®

PROTEC
PLASTICS

Should your requirements not be shown please ask for separate quotation.
PROTEC products and specifications are subject to improvement and change without notice.

Pipe Protection Caps

The Original. One piece construction. Injection – moulded. Up to 64." nominal pipe size
Complemented with over 170 additional sizes
Internal ribs provide tight fit and release pressure build up



All dimensions in mm

Dimensions			Colour	Standard Pack	Reference No.
D	Nom Ø	H			
55.0		29.0	natural	750	EP 260 / 55.0
57.0		35.0	yellow	600	EP 260 / 57.0
57.0		80.0	yellow	250	EP 260 / 57.0 × 80
59.0		28.6	yellow	750	EP 260 / 59.0
60.3	R 2."	32.0	yellow	600	EP 260 / 60.3
63.5		32.0	yellow	500	EP 260 / 63.5
63.5		90.0	yellow	175	EP 260 / 63.5 × 90
65.0		35.5	yellow	500	EP 260 / 65.0
66.5		35.0	yellow	400	EP 260 / 66.5
67.0		36.0	yellow	500	EP 260 / 67.0
70.0		30.0	yellow	500	EP 260 / 70.0
73.0		37.5	yellow	350	EP 260 / 73.0
75.0		38.0	natural	300	EP 260 / 75.0
76.1	R 2.1/2"	32.0	yellow	400	EP 260 / 76.1
77.0		35.5	natural	350	EP 260 / 77.0
78.0		26.0	yellow	350	EP 260 / 78.0
79.4		27.0	yellow	500	EP 260 / 79.4
81.0		30.5	natural	350	EP 260 / 81.0
82.5		30.5	yellow	350	EP 260 / 82.5
83.0	R 2.3/4"	31.7	yellow	350	EP 260 / 83.0
85.0		32.2	natural	350	EP 260 / 85.0
88.9	R 3."	31.7	yellow	300	EP 260 / 88.9
88.9		88.2	yellow	300	EP 260 / 88.9 × 90
90.0		92.0	yellow	80	EP 260 / 90.0 × 90
92.4		23.9	yellow	350	EP 260 / 92.4
95.0		33.7	yellow	300	EP 260 / 95.0

Should your requirements not be shown please ask for separate quotation.
PROTEC products and specifications are subject to improvement and change without notice.

Material :
LLD-PE,
linear low density polyethylene

Standard Colours :
yellow, natural

Individual Productions :
On request we develop and produce individually tailored solutions next to the standard items of this range: additional dimensions, different materials and new colours

We would be pleased to advise you.

Think Plastic. Go Protec.®

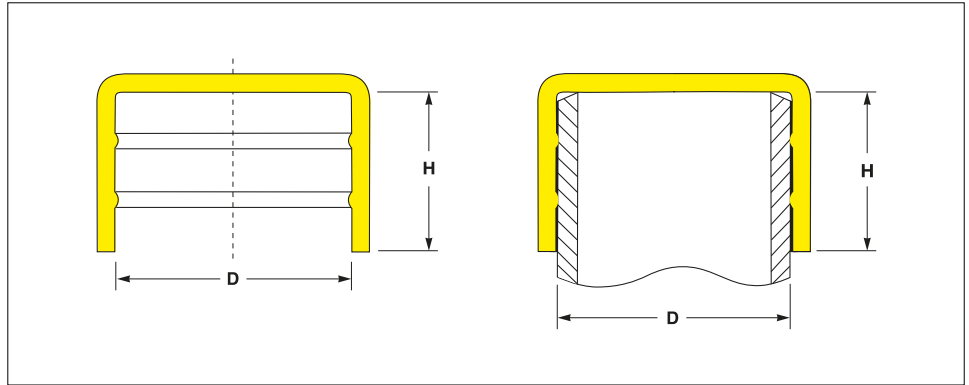
PROTEC
PLASTICS

Pipe Protection Caps

The Original. One piece construction. Injection – moulded. Up to 64." nominal pipe size. Complemented with over 170 additional sizes
Internal ribs provide tight fit and release pressure build up

strong

**FLEXIBLE
PRODUCTION**



All dimensions in mm

Dimensions			Colour	Standard Pack	Reference No.
D	Nom Ø	H			
100.0		40.0	natural	200	EP 260 / 100.0
101.6		42.0	yellow	200	EP 260 / 101.6
102.0		40.0	yellow	200	EP 260 / 102.0
103.0		39.0	natural	175	EP 260 / 103.0
105.0		39.0	Natur	200	EP 260 / 105.0
106.0		42.0	yellow	175	EP 260 / 106.0
108.0		38.0	yellow	200	EP 260 / 108.0
108.5		90.0	yellow	60	EP 260 / 108.5 × 90
110.0		38.0	yellow	175	EP 260 / 110.0
114.3	R 4."	38.0	yellow	150	EP 260 / 114.3
114.3		90.0	natural	–	EP 260 / 114.3 × 90
116.3		38.0	grey	150	EP 260 / 116.3
117.5		38.0	natural	150	EP 260 / 117.5
121.0		37.2	yellow	150	EP 260 / 121.0
125.0		38.0	yellow	150	EP 260 / 125.0
126.0		37.2	natural	150	EP 260 / 126.0
127.0	R 4.1/2"	39.0	yellow	140	EP 260 / 127.0
130.0		40.0	natural	130	EP 260 / 130.0
133.0		40.0	yellow	125	EP 260 / 133.0
133.7		96.0	yellow	40	EP 260 / 133.7 × 90
136.0		30.0	natural	150	EP 260 / 136.0
139.7	R 5."	38.0	yellow	100	EP 260 / 139.7
141.3		41.4	yellow	110	EP 260 / 141.3
146.0		41.3	natural	100	EP 260 / 146.0
149.0		40.0	natural	100	EP 260 / 149.0

Material :
LLD-PE,
linear low density polyethylene

Standard Colours :
yellow, natural

The Original
One piece construction
Injection-moulded

Up to 64." nominal pipe size and complemented with over 170 additional sizes. Internal ribs provide tight fit and release pressure build up.

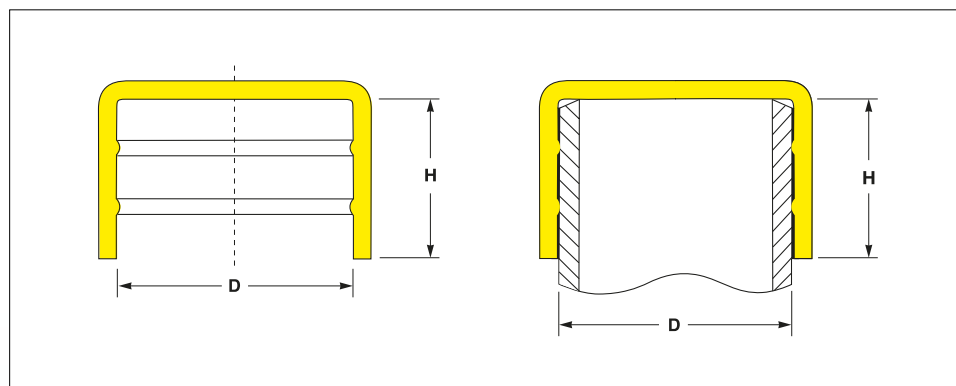
Think Plastic. Go Protec.®

**PROTEC
PLASTICS**

Should your requirements not be shown please ask for separate quotation.
PROTEC products and specifications are subject to improvement and change without notice.

Pipe Protection Caps

The Original. One piece construction. Injection – moulded. Up to 64." nominal pipe size
Complemented with over 170 additional sizes
Internal ribs provide tight fit and release pressure build up



CAPTOP®

All dimensions in mm

Dimensions			Colour	Standard Pack	Reference No.
D	Nom Ø	H			
151.4		41.5	natural	100	EP 260 / 151.4
152.4	R 5.1/2"	41.5	yellow	100	EP 260 / 152.4
156.0		40.0	natural	80	EP 260 / 156.0
159.0		37.0	yellow	100	EP 260 / 159.0
160.0		40.0	yellow	100	EP 260 / 160.0
165.0		67.5	yellow	40	EP 260 / 165.0 × 65
165.1		40.0	yellow	90	EP 260 / 165.1
168.3	R 6."	36.0	yellow	75	EP 260 / 168.3
168.3		100.0	yellow	25	EP 260 / 168.3 × 100
176.0		42.4	yellow	80	EP 260 / 176.0
177.8		42.7	natural	80	EP 260 / 177.8
180.0		39.0	yellow	75	EP 260 / 180.0
185.0		41.5	yellow	75	EP 260 / 185.0
188.7		100.0	yellow	25	EP 260 / 188.7 × 100
193.7		42.0	yellow	60	EP 260 / 193.7
200.0		50.0	yellow	35	EP 260 / 200.0
210.0		40.0	natural	30	EP 260 / 210.0
219.1	R 8."	42.0	yellow	50	EP 260 / 219.1
225.0		39.0	yellow	40	EP 260 / 225.0
232.0		42.0	natural	60	EP 260 / 232.0
242.0		50.0	natural	50	EP 260 / 242.0
244.5		43.0	natural	50	EP 260 / 244.5
250.0		47.0	yellow	40	EP 260 / 250.0
267.0		41.0	natural	45	EP 260 / 267.0
273.0	R 10."	49.0	yellow	40	EP 260 / 273.0

Should your requirements not be shown please ask for separate quotation.
PROTEC products and specifications are subject to improvement and change without notice.

Material :
LLD-PE,
linear low density polyethylene

Standard Colours :
yellow, natural

Individual Productions :
On request we develop and produce individually tailored solutions next to the standard items of this range: additional dimensions, different materials and new colours

We would be pleased to advise you.

Think Plastic. Go Protec.®

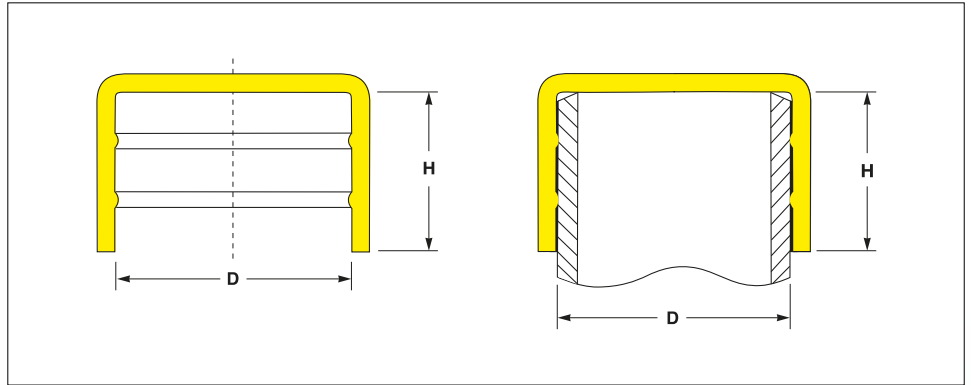
PROTEC
PLASTICS

Large Pipe Protection Caps

Up to 64" nominal pipe sizes and complemented with over 170 additional sizes
Internal ribs provide tight fit and release pressure build up

immediate

FREE
SAMPLES



All dimensions in mm

Dimensions			Colour	Standard Pack	Reference No.
D	Nom Ø	H			
323.9	R 12."	55.0	yellow	25	EP 260 / 323.9
355.6	R 14."	57.0	yellow	27	EP 260 / 355.6
368.0		55.0	yellow	30	EP 260 / 368.0
400.0		65.0	natural	25	EP 260 / 400.0
406.4	R 16."	62.0	yellow	30	EP 260 / 406.4
419.0		54.0	yellow	25	EP 260 / 419.0
450.0		66.0	natural	28	EP 260 / 450.0
457.2	R 18."	66.0	yellow	32	EP 260 / 457.2
508.0	R 20."	65.3	yellow	26	EP 260 / 508.0
558.8	R 22."	60.0	yellow	22	EP 260 / 558.8
609.6	R 24."	65.5	yellow	20	EP 260 / 609.6
660.4	R 26."	102.0	black	10	EP 260 / 660.4
711.2	R 28."	115.0	black	10	EP 260 / 711.2
762.0	R 30."	115.0	black	10	EP 260 / 762.0
812.8	R 32."	115.0	black	10	EP 260 / 812.8
863.6	R 34."	153.0	black	6	EP 260 / 863.6
914.4	R 36."	115.0	black	10	EP 260 / 914.4
1016.0	R 40."	115.0	black	8	EP 260 / 1016.0
1066.8	R 42."	102.0	black	6	EP 260 / 1066.8
1117.6	R 44."	115.0	black	6	EP 260 / 1117.6
1219.2	R 48."	115.0	black	6	EP 260 / 1219.2
1320.8	R 52."	150.0	black	6	EP 260 / 1320.8
1422.4	R 56."	146.0	black	6	EP 260 / 1422.4
1524.0	R 60."	150.0	black	6	EP 260 / 1524.0
1625.6	R 64."	150.0	black	4	EP 260 / 1625.6

Material :
LLD-PE,
linear low density polyethylene

Standard Colours :
yellow, natural, black

These high quality injection moulded protection caps are suited to the most severe weather conditions due to the use of UV stabilised material and the reinforced design. An additional entrylip also allows easy fitting and removal.

Think Plastic. Go Protec.®

PROTEC
PLASTICS

Should your requirements not be shown please ask for separate quotation.
PROTEC products and specifications are subject to improvement and change without notice.

Large Pipe Protection Caps

Up to 64" nominal pipe sizes and complemented with over 170 additional sizes
Internal ribs provide tight fit and release pressure build up

TRIPLE ADVANTAGE of PROTEC CAPTOP®

QUALITY. These high quality injection moulded protection caps are suited to the most severe weather conditions due to the use of UV stabilised material and the reinforced design. An additional entrylip also allows easy fitting and removal.

AVAILABILITY. With over 400 million moulded components shipped from our Oststeinbek / Hamburg logistics center we provide the fastest on time delivery service to all markets and industries.

PHILOSOPHY. Innovative protective closures at the best price in the market.



CAPTOP®



Material :
LLD-PE,
linear low density polyethylene

Standard Colours :
yellow, natural, black

Individual Productions :
On request we develop and produce individually tailored solutions next to the standard items of this range: additional dimensions, different materials and new colours

We would be pleased to advise you.

Think Plastic. Go Protec.®

PROTEC
PLASTICS